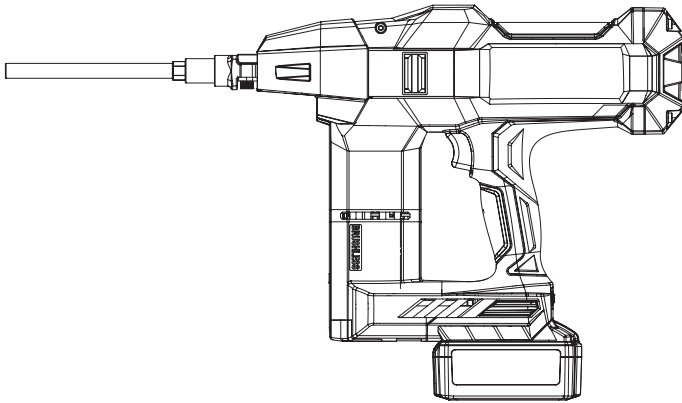


DCCN120IP

# OPERATOR'S MANUAL

20V 充电式无刷保温钉紧固器

20V Rechargeable Brushless Insulation Project Concrete Nailer



警告：为了确保工作安全，使用者必须阅读和理解安全操作手册

WARNING !To reduce the risk of injury, user must read and understand operator's manual



1.任何时候不允许将枪嘴对着自己或他人，以免发生意外射钉造成人身伤害。

It is not allowed to point the nailer at oneself or others at any time to avoid accidental nail shooting and personal injury

2.禁止在未装任何枪嘴的情况下使用该机器。

It is prohibited to use this nailer without any nose piece installed.

3.机器发生故障时，必须先拆下电池包同时退出所有钉子然后才能进行维修。

When the nailer malfunctions, the battery pack must be removed and all nails must be removed before maintenance can be carried out.

# GENERAL POWER TOOL SAFETY WARNINGS

## WARNING

Read all safety warnings, instructions, illustrations and specifications provided with this power tool. Failure to follow all instructions listed below may result in electric shock, fire and/or serious injury. Save all warnings and instructions for future reference. The term "power tool" in the warnings refers to your mains-operated (corded) power tool or battery-operated (cordless) power tool.

## WORK AREA SAFETY

- Keep work area clean and well lit. Cluttered or dark areas invite accidents.
- Do not operate power tools in explosive atmospheres, such as in the presence of flammable liquids, gases or dust. Power tools create sparks which may ignite the dust or fumes.
- Keep children and bystanders away while operating a power tool. Distractions can cause you to lose control.

## ELECTRICAL SAFETY

- Power tool plugs must match the outlet. Never modify the plug in any way. Do not use any adapter plugs with earthed (grounded) power tools. Unmodified plugs and matching outlets will reduce risk of electric shock.
- Avoid body contact with earthed or grounded surfaces, such as pipes, radiators, ranges and refrigerators. There is an increased risk of electric shock if your body is earthed or grounded.
- Do not expose power tools to rain or wet conditions. Water entering a power tool will increase the risk of electric shock.
- Do not abuse the cord. Never use the cord for carrying, pulling or unplugging the power tool. Keep cord away from heat, oil, sharp edges or moving parts. Damaged or entangled cords increase the risk of electric shock.
- When operating a power tool outdoors, use an extension cord suitable for outdoor use. Use of a cord suitable for outdoor use reduces the risk of electric shock.
- If operating a power tool in a damp location is unavoidable, use a ground fault circuit interrupter (GFCI) protected supply. Use of an GFCI reduces the risk of electric shock.

## PERSONAL SAFETY

- Stay alert, watch what you are doing and use common sense when operating a power tool. Do not use a power tool while you are tired or under the influence of drugs, alcohol or medication. A moment of inattention while operating power tools may result in serious personal injury.
- Use personal protective equipment. Always wear

eye protection. Protective equipment such as a dust mask, non-skid safety shoes, hard hat or hearing protection used for appropriate conditions will reduce personal injuries.

- Prevent unintentional starting. Ensure the switch is in the off-position before connecting to power source and/or battery pack, picking up or carrying the tool. Carrying power tools with your finger on the switch or energizing power tools that have the switch on invites accidents.
- Remove any adjusting key or wrench before turning the power tool on. A wrench or a key left attached to a rotating part of the power tool may result in personal injury.
- Do not overreach. Keep proper footing and balance at all times. This enables better control of the power tool in unexpected situations.
- Dress properly. Do not wear loose clothing or jewelry. Keep your hair and clothing away from moving parts. Loose clothes, jewelry or long hair can be caught in moving parts.
- If devices are provided for the connection of dust extraction and collection facilities, ensure these are connected and properly used. Use of dust collection can reduce dust-related hazards.
- Do not let familiarity gained from frequent use of tools allow you to become complacent and ignore tool safety principles. A careless action can cause severe injury within a fraction of a second.

## POWER TOOL USE AND CARE

- Do not force the power tool. Use the correct power tool for your application. The correct power tool will do the job better and safer at the rate for which it was designed.
- Do not use the power tool if the switch does not turn it on and off. Any power tool that cannot be controlled with the switch is dangerous and must be repaired.
- Disconnect the plug from the power source and/or remove the battery pack, if detachable, from the power tool before making any adjustments, changing accessories, or storing power tools. Such preventive safety measures reduce the risk of starting the power tool accidentally.
- Store idle power tools out of the reach of children and do not allow persons unfamiliar with the power tool or these instructions to operate the power tool. Power tools are dangerous in the hands of untrained users.

## GENERAL POWER TOOL SAFETY WARNINGS

- Maintain power tools and accessories. Check for misalignment or binding of moving parts, breakage of parts and any other condition that may affect the power tool's operation. If damaged, have the power tool repaired before use. Many accidents are caused by poorly maintained power tools.
- Keep cutting tools sharp and clean. Properly maintained cutting tools with sharp cutting edges are less likely to bind and are easier to control.
- Use the power tool, accessories and tool bits etc. in accordance with these instructions, taking into account the working conditions and the work to be performed. Use of the power tool for operations different from those intended could result in a hazardous situation.
- Keep handles and grasping surfaces dry, clean and free from oil and grease. Slippery handles and grasping surfaces do not allow for safe handling and control of the tool in unexpected situations.

## BATTERY TOOL USE AND CARE

- Recharge only with the charger specified by the manufacturer. A charger that is suitable for one type of battery pack may create a risk of fire when used with another battery pack.
- Use power tools only with specifically designated battery packs. Use of any other battery packs may create a risk of injury and fire.
- When battery pack is not in use, keep it away from other metal objects, like paper clips, coins, keys, nails, screws or other small metal objects, that can make a connection from one terminal to another. Shorting the battery terminals together may cause burns or a fire.
- Under abusive conditions, liquid may be ejected from the battery; avoid contact. If contact accidentally occurs, flush with water. If liquid contacts eyes, additionally seek medical help. Liquid ejected from the battery may cause irritation or burns.
- Do not use a battery pack or tool that is damaged or modified. Damaged or modified batteries may exhibit unpredictable behavior resulting in fire, explosion or risk of injury.
- Do not expose a battery pack or tool to fire or excessive temperature. Exposure to fire or temperature above 265°F (130°C) may cause explosion.
- Follow all charging instructions and do not charge the battery pack or tool outside the temperature range specified in the instructions. Charging improperly or at temperatures outside the specified range may damage the battery and increase the risk of fire.

## SERVICE

### SERVICE

- Have your power tool serviced by a qualified repair person using only identical replacement parts. This will ensure that the safety of the power tool is maintained.
- Never service damaged battery packs. Service of battery packs should only be performed by the manufacturer or authorized service providers.

## CONCRETE NAILER SAFETY WARNINGS

- Always assume that the tool contains fasteners. Careless handling of the nailer can result in unexpected firing of fasteners and personal injury.
- Do not point the tool towards yourself or anyone nearby. Unexpected triggering will discharge the fastener causing an injury.
- Do not actuate the tool unless the tool is placed firmly against the workpiece. If the tool is not in contact with the workpiece, the fastener may be deflected away from your target.
- Disconnect the tool from the power source when the fastener jams in the tool. While removing a jammed fastener, the nailer may be accidentally activated if it is plugged in.
- Use caution while removing a jammed fastener.

The mechanism may be under compression and the fastener may be forcefully discharged while attempting to free a jammed condition.

- When fastening electrical cables, make sure the cables are not energized. Hold the tracker only by insulated gripping surface. Use only fasteners designed for electrical cable installations. Inspect that the fastener has not damaged the insulation of the electrical cable. A fastener that damages the insulation of electric cables can lead to electric shock and fire hazards
- Prior to each use, check workpiece contact and trigger for correct operation. Do not disassemble or clamp parts of the workpiece contact, trigger, or driving mechanism. This will cause unexpected actuation, resulting in serious injury.
- Do not engage in horseplay. The discharged fasteners are projectiles capable of causing serious injury.
- Do not remove, tamper with, or otherwise cause the tool operating controls to become inoperable. This will cause unexpected actuation, resulting in serious injury.
- Do not operate a tool if any portion of the tool operating controls is inoperable, disconnected, altered, or not working properly. This will cause unexpected actuation, resulting in serious injury.
- Always keep hands and body away from discharge area of the tool. Never attempt to clear a jammed workpiece contact by grasping the discharge area of the tool. Fasteners discharged from tool can cause serious injury if they contact hands or body.
- Do not drive fasteners close to the edge of the workpiece. Fasteners can slip off corners and edges

Use the tool only for the intended purpose. Do not abuse the tool. Do not use as a hammer, stamp or engrave information onto parts, drop or impact the tool or otherwise apply excess force to the tool in use. Do not mount the tool to stands or modify it for stationary use.

Always use common sense and be cautious when using tools. It is not possible to anticipate every situation that could result in a dangerous outcome. Do not use this tool if you do not understand these operating instructions or you feel the work is beyond your capability; contact a trained professional for additional information or training.

Maintain labels and nameplates. These carry important information. If unreadable or missing, contact a Naitask service facility for a free replacement.

### • WARNING

Some dust created by power sanding, sawing, grinding, drilling, and other construction activities contains chemicals known to cause cancer, birth defects or other reproductive harm. Some examples of these chemicals are:

- lead from lead-based paint
- crystalline silica from bricks and cement and other masonry products, and
- arsenic and chromium from chemically-treated lumber. Your risk from these exposures varies, depending on how often you do this type of work. To reduce your exposure to these chemicals: work in a well ventilated area, and work with approved safety equipment, such as those dust masks that are specially designed to filter out microscopic particles.

 Volts

 Direct Current

 Single Sequential Actuation



Read Operator's Manual



Wear Eye Protection



Wear a mask



Wear Earplugs



Keep Hands Away

## FUNCTIONAL DESCRIPTION

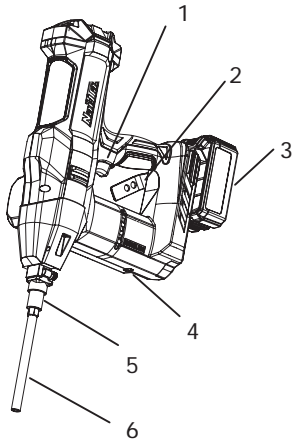


Figure 1

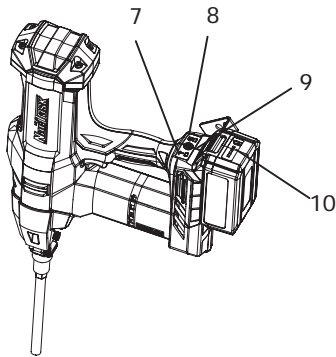


Figure 2

- 1---Trigger      2---Hook      3---Battery
- 4---Work led    5--- Nose piece base
- 6--- Nose piece    7--- Actuation indicator LED
- 8--- Power button    9--- Lower battery led
- 10--- Battery LED

## OPERATION

### Install or uninstall the battery pack

Note: when installing or uninstalling the battery pack, do not press the trigger and press the nose piece, so as not to trigger the switch by mistake. The battery pack is only partially charged upon delivery and must be fully charged in the Charger before first use to ensure maximum battery power.

1. Install the battery pack, as shown in Figure 3 below. When inserting the battery pack, insert the battery pack into the case correctly. Be sure to insert it all the way to the bottom until you hear a clicking sound, indicates that the battery pack is securely attached to the machine. Otherwise the battery pack will accidentally fall off the case, causing injury to the operator or others. Avoid inserting the battery pack too hard or using other objects to knock it in. \* note: only batteries of the specified model can be used. Use of battery packs from other brands carries the risk of injury and personal injury and property damage due to the explosion of the battery packs.

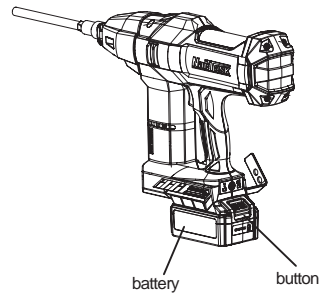


Figure 3

2, remove the battery pack the battery pack is under the handle of the machine, press the pack button in the direction of the arrow, and then press the arrow in Figure 4 to pull the pack out. \* Note: Do not force the pack out.

# OPERATION

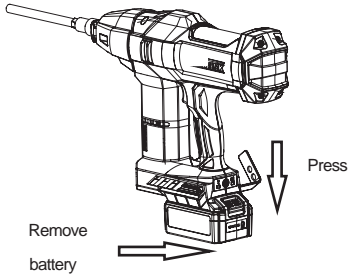


Figure 4

\*Power indicator when the power button is pressed, the power indicator will display the battery pack's power level. The power level can be indicated by the status of the four green LED lights.

Green light status	The remaining power
4pcs green lights	75%-100%
3pcs green lights	50%-75%
2pcs green lights	25%-50%
1pc green lights	10%-25%

Table 1

\*Continue to use

Allow the machine to cool for 15 minutes before replacing the battery pack and continuing to use the machine until the battery runs out.

\*Over-discharge protection

The machine is equipped with over-discharge protection circuit, when the battery power is insufficient, the protection circuit is opened, the host power orange lamp flashing tips to charge, the machine stopped rotating.

\* Disposal of waste battery packs

To protect natural resources, recycle or dispose of battery packs properly. The battery contains a lithium battery. Please consult your local authorities for information on recycling and/or disposal. Remove the battery pack after the battery pack runs out of power and wrap the pole port in strong tape to avoid short circuit and leakage. It is absolutely forbidden to try to open or remove any parts.

## Nailing operation

Operators and others in the work area must wear protective goggles. It is not allowed to point the nailer at oneself or others at any time to avoid accidental nail shooting and personal injury. It is prohibited to use this machine without any nose piece installed.

1. Install the nails and battery pack according to the previous instructions.
2. Keep the nailer head down and press the power button. When the nailing light and the circular power light are on, it indicates that the nailing is ready.

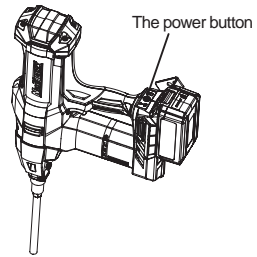


Figure 5

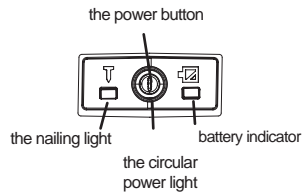


Figure 6

3. Choose the appropriate length of insulation nails based on the thickness of the insulation layer
4. Insert the insulation nail, Do not press the trigger during this process.

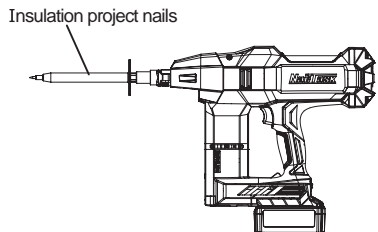


Figure 7

# OPERATION

## Nailing operation

5. Insert the Nailer with insulation nail into the insulation project together until the bottom. And keep the insulation Nailer perpendicular to the wall. Do not press the trigger during this process.
6. Pull the trigger to firmly fix the insulation project on the concrete wall.

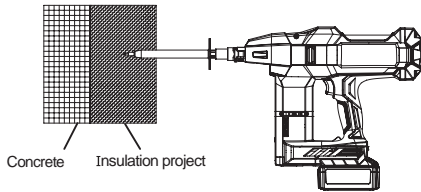


Figure 8

\*Note: Do not press the trigger while inserting the insulation nail into the machine.

\*Do not use this machine without any Nose piece installed

## Hook assembly

This product with a hook, and users can install the hook themselves according to their needs. The hook can temporarily attach the nailer to the wall skirt or scaffold during the interval between nailing, reducing the load on the handheld nail gun.

2. Place the hook in the designated position on the nailer.
3. Tighten the two screws with a hexagonal wrench to complete the hook installation.

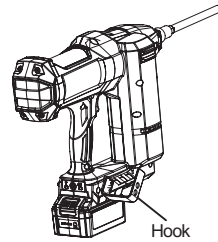


Figure 9

## Product Intelligence Function

This product has an intelligent control module that constantly monitors the working condition of the machine. Remind users based on the number of flashes of the circular power light.

Number of flashes	Machine status	Handling method
0	working	/
1	Standby	Press the power button to restore
2	Battery pack under voltage indication	Replacing the battery
3	Battery pack over temperature indication	Replacing the battery
4	Controller over temperature indication	After the machine cools down, it returns to normal
5	Controller over current protection indication	After the machine cools down, it returns to normal
other	When there are other instructions	Send to maintenance center

Table 2

# INSPECTION AND MAINTENANCE

## Inspection

The safekeeping personnel must conduct a daily inspection when the machine is sent out or retrieved; Before use, users must undergo daily inspections; The unit using the machine must have dedicated personnel to conduct regular inspections; Check at least once a year; In areas with humid heat and frequent temperature changes, the inspection cycle should also be shortened in areas with poor usage conditions; Timely inspection should be conducted before the rainy season.

Machines that have passed regular inspections should be labeled with a "qualified" inspection label on appropriate parts of the machine. The "qualified" identification should be clear, clear, correct, and at least include: machine number, inspection unit name or identification, inspection personnel name or identification, and effective date.

## Maintenance

When repairing power tools, replacing tools on power tools, or handling power tools, be sure to remove the battery and remove the nails.

The maintenance of the machine must be carried out by a maintenance unit recognized by the original production unit. The user unit and maintenance department shall not arbitrarily modify the original design reference of the machine, and shall not use substitute materials with lower performance than the original materials or parts that do not conform to the original specifications.

The comparison table for common faults is as follows:

Fault phenomenon	Machine status	Fault cause	processing method
Empty nailing	No nails coming out	Jam	Clearing the jam
Cannot nailing	No abnormal sound or flashing lights	1.Check the tool is fully pressed down 2.controller failed	2.Send to the maintenance center
Cannot nailing	There is a 'drip' sound	Controller or motor failed	Send to the maintenance center
Cannot nailing	only hear the sound of the motor rotating, the circular power light flashes 6 consecutive intervals	No output	Send to the maintenance center

# MAINTENANCE

## **Storage**

When the tool is not needed for a long time, please remove the battery pack. Store the battery pack away from metal objects such as paper clips, coins, keys, nails, screws, or other small metal objects. These objects may connect the two terminals of the battery together. Short circuiting battery terminals may cause explosions or fires

## **Clean the air vent**

The ventilation openings of the tool must be kept clean. It should be cleaned regularly or at any time when blockage occurs.

## **Check the installation of screw**

Frequently check whether the installation screw are tight and secure. If loose screws are found, they should be immediately retightened to avoid accidents.

## **Cleaning of upper and lower receiver**

Regularly check whether the upper and lower receiver have accumulated dust and debris. If found, it should be cleaned immediately to avoid affecting normal nailing.

## **Magazine inspection**

The magazine should be regularly checked for debris or concrete ash residue, and if there are any debris, it should be cleaned immediately. At the same time, check whether the row of nails slides smoothly in the nail groove. If not, there may be obstacles when the nails are ejected.

## **Clean**

It is prohibited to use liquids such as water or chemical cleaning agents to clean the machine. Wipe it clean with a dry cloth. Keep the handle dry and clean to avoid oil and grease contamination.

## **Warning Label**

If the warning label falls off or is damaged, a new one must be affixed. The new warning label can be obtained by authorizing the service center

## SPECIFICATION AND PURPOSE

This product is suitable for direct fastening of insulation project nails under general environmental conditions. Direct nailing and fastening operations can be carried out on wood, plastic, iron plates, and concrete. The performance and specifications of this product are shown in the table below

model	DCCN120IP
voltage	20V
energy	120J
Nail type	insulation project nails
Nail length	30-160mm
Concrete specifications	Max: C45
Driving concrete through wood	Maximum depth into concrete: 20mm
Nailing frequency	2nails/s
Battery	20V 5.0Ah Li-ion
Nails per package	900nail/5.0Ah
Battery pack charging time	5.0Ah,2.5hrs
Dimension	55cmX12cmX32cm
Weight without battery	4.0kg

\*Note: Our company reserves the right to improve the specifications and parameters without prior notice.

Table 4

Standard accessory

Tool bag:1pc

Protective glasses :1pc

Protective earplugs :1pc

Hexagon wrench :2pc

Hook:1pc

Hook screws:2pcs

Screw bit:1pc

5.0ah battery:1pc

Charger:1pc

# CHARGER SAFETY INSTRUCTIONS

**Warning! Read all warnings and instructions! Failure to use or operate according to the instructions listed below will result in electric shock, fire, and/or serious injury.**

## Workplace

Do not use battery chargers in explosive environments, such as those with explosive liquids, gases, or dust.

## Electrical safety

- 1) The charger plug matches the socket. Never modify the plug in any way.
- 2) Do not expose the battery charger to rain, snow, or damp environments.
- 3) Keep the battery charger away from heat, oil, sharp edges, or moving parts.

## Usage and precautions for chargers

- 1) Keep the idle battery and charger outside the reach of children and do not let anyone unfamiliar with the battery and charger or unfamiliar with these instructions use this battery charger.
- 2) For safety reasons, it is not recommended for individuals (including children) with disabilities, intellectual disabilities, inexperience, or lack of independent operating ability to use this charger without supervision; Please take good care of children to prevent them from using this charger as a toy.
- 3) When charging, the power supply voltage must be consistent with the voltage specifications indicated on the charger. Ensure that the charger is in a well ventilated and flammable free area. When charging, the charger will become slightly warmer. This is a normal phenomenon. Avoid being left unattended to avoid other hazards
- 4) After charging, please cut off the power first and then remove the battery pack from the charger. Do not leave the battery pack inside the charger for a long time.
- 5) When maintaining or cleaning the charger, be sure to unplug it from the socket, as this practice can reduce the risk of electric shock. Only use a soft dry cloth to wipe this battery charger. Do not use damp cloth, diluent, gasoline, or other volatile solvents for cleaning.
- 6) This battery charger can only charge lithium-ion battery packs of the 20V series model. Using other battery packs or chargers, such as imitations, modified or other brands, poses a risk of injury, as well as personal injury and property damage caused by battery pack explosion and combustion.
- 7) Do not open the battery charger or allow it to be impacted. The storage area of the battery charger must be moisture-proof and mold proof.
- 8) Do not use the charger for other purposes.
- 9) Ensure that there are no foreign objects in the charger slot and avoid dirt or moisture.

10) Do not dispose of battery chargers in general household waste.

11) Do not charge damaged battery packs.

12) Do not charge non rechargeable batteries, as this may cause overheating reactions or even explosions.

13) Do not charge the battery pack when the room temperature is below 10 ° C or above 50 ° C; When the room temperature is below 0 ° C, charging may not be possible.

14) Do not use chargers with damaged power cords or plugs. If the power cord or plug is damaged, it must be replaced by professionals from the manufacturer, its maintenance department, or similar departments. Please use the original factory power cord for replacement.

15) To prevent electric shock, do not touch uninsulated output connections or uninsulated battery terminals

## CHARGER OPERATING INSTRUCTIONS

### Charging Operation

- 1) After inserting the charger plug into the socket, the green light remains on and enters the charging waiting state.
- 2) Then align the battery pack with the charger according to its polarity and install it, and the charger starts charging.
- 3) When the battery is fully charged, the green light remains on.  
In addition, the battery pack is only partially charged upon delivery. Before formal operation, please fully charge the battery pack indoors.  
In high temperature environments or after prolonged use, the battery pack may become hot. Please do not charge it immediately. Wait for the battery pack to cool before charging, otherwise it will shorten the service life of the battery pack or cause it to overheat and become unable to charge.

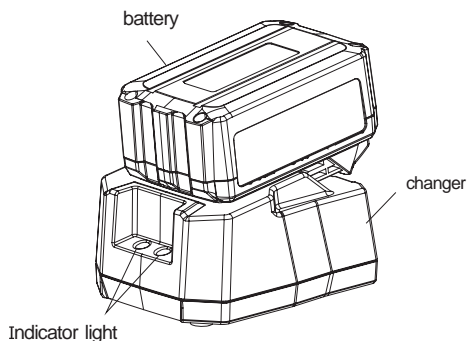


figure 16

**Attention: Please ensure that the AC voltage parameters meet the voltage requirements on the charger nameplate!**

### Charger indicator light

The charger can detect certain faults caused by the battery pack and distinguish them by the status of the red and green indicator lights.

When a malfunction occurs, reinsert the battery pack into the charger. If the fault persists, use another battery pack instead. If the new battery pack can charge properly, the original battery pack may be damaged. If the new battery pack still generates the same fault indicator light, the charger may be damaged and needs to be inspected and repaired. The relationship between the status of the indicator light and the charging status is shown in the table below.

Status	Indicator light		Indicator light status description
	Green	Red	
Standby			Green light always on, red light not on
charging		●	Green light is not on, red light is always on
charging completed	●		Green light always on, red light not on
Abnormal battery pack	○	○	Flashing green and red alternately
Battery pack temperature below 0 ° C or above 50 ° C	●		Green light always on, red light not on

Note: The specific information is based on the charger nameplate.

Table 5

## Part list

Item	P/N	Description	Remark	Item	P/N	Description	Remark
1	680036001	Long nose piece		37	280002001	Controller assy	
2	690035001	Nose piece base		38	560024001	Rubber plug	
3	300020002	WCB assy		39	560023001	Lower rubber plug	
4	660001001	M4X16 screw		40	200001001	Housing assy	
5	670002001	Spring		41	510014001	Led lens	
6	510002002	Front cap		42	510015001	Button board	
7	660002001	Hexagon socket screw	M5X14	43	510013001	Button cover	
8	690031001	Pressure plate		44	560006001	Rubber button	
9	680006002	Upper receiver		45	63000601	Hook	
10	680035002	Lower receiver		46	510001001	End cap	
11	660017001	Hexagon socket screw	M6X15	47	130001001	5.0Ah battery	
12	660008002	Hexagon socket screw	M5X16	48	130001002	2.5Ah battery	
13	690006001	Pin		49	140001001	Charger	
14	660003001	Screw	M4X8	50			
15	670003001	Spring		51			
16	680003001	Slider		52			
17	680002001	Pawl		53			
18	650003001	Circlip		54			
19	560007001	Dust rubber cover		55			
20	300017001	Frame assy		56			
21	650001001	Circlip		57			
22	300018001	Output shaft assy		58			
23	660015001	Hexagon socket screw	M7X20	59			
24	300016001	Cam assy		60			
25	220001001	Gearbox assy		61			
26	560001001	Motor rubber pad		62			
27	210002001	Motor assy	M5X8	63			
28	560004001	Bumper		64			
29	300003001	Striker assy		65			
30	560002001	Tank rubber pad		66			
31	560005001	O ring		67			
32	690001001	Inner cylinder		68			
33	300015001	Tank assy		70			
34	510003001	Trigger		71			
35	670001001	Spring		72			
36	660004001	Hexagon socket screw	M3X10	73			

